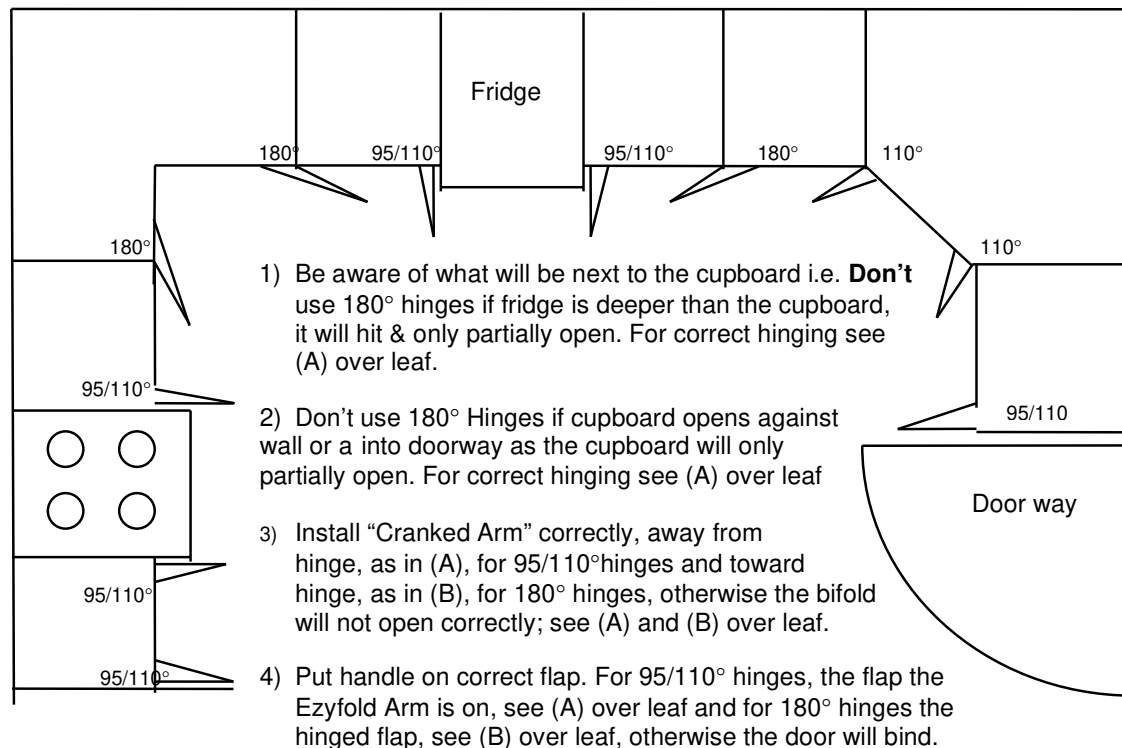


EZYFOLD Installation Bulletin

It has become apparent that many **Ezyfold Arms**, while installed correctly, are being hinged wrong for their situation. Arms are being hinged on 180° hinges next to fridges, stoves, dishwashers and doorways. These doors work fine in the workshop and after the kitchen has been installed but when the fridge etc is in place, and protrudes 60mm, doors hit and do not open correctly. Use 95/110° hinges in these situations

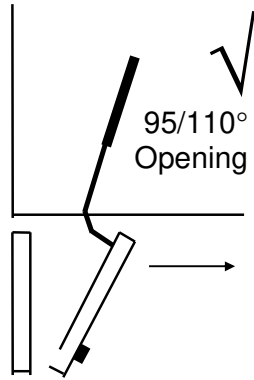
Also handles must be fixed to the correct flap, see over, to make the Ezyfold work correctly.



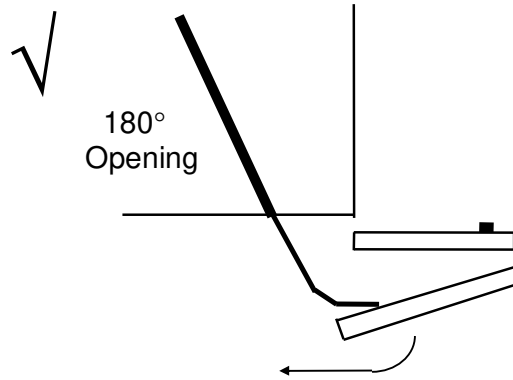
Refer to back of this page to see correct and incorrect examples of Ezyfold installation.

The important points to remember are:

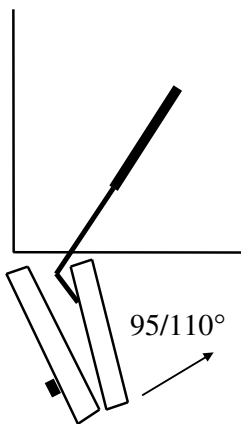
1. The direction of the plastic crank in relation to the hinge used.
2. The handle position in relation to the hinge used.
3. Will what is next to the unit hamper door operation?



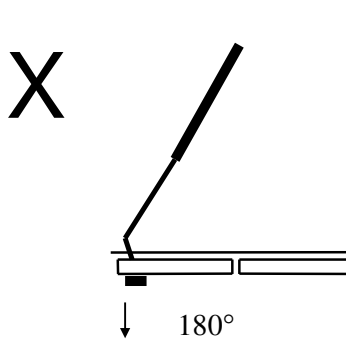
(A)
Correct crank & handle position
for 95/110°



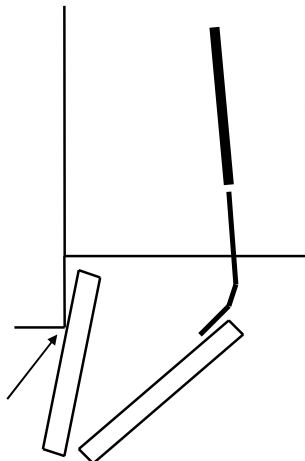
(B)
Correct crank & handle position
for 180°



Correct crank but
handle on wrong flap,
door will bind.



Correct crank but handle
on wrong flap, door will
not operate properly.



Incorrect use of 180° hinges, door hits
unit. **Correct** hinge to use 95/110°

Your Local Distributor:



LYNX
EZYFOLD LIMITED

Lynx Ezyfold Ltd

PO Box 211
Picton 7250
P: 027 442 2693
E: ezyfold@yahoo.co.nz